

## Flexmaster® Seal-Ons 2000 Series

### Sealed Branch Connectors

#### Flexmaster® Series 2000/2001

Seal-On Connectors, manufactured from 26 gauge, or heavier, galvanized steel.

Meets ANSI/SMACNA Duct Construction Standards.

#### Standard Construction

26-gauge Galvanized Steel Body

26-gauge Galvanized Steel Damper

1" formed flange, with pressure sensitive polyethylene high density adhesive gasket, provides airtight connection.

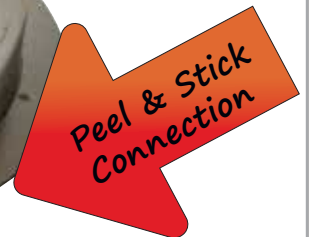
Available in sizes from 4" to 16"

#### Optional Construction

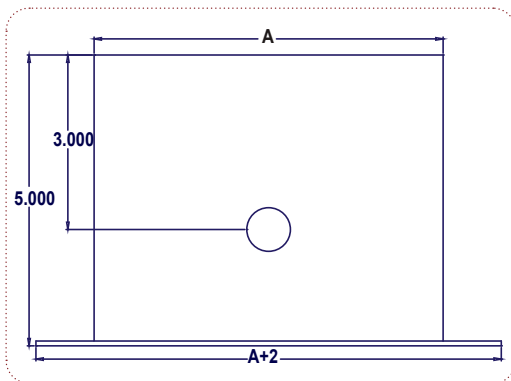
24 ga, 22 ga, or 20 ga, aluminum or stainless steel.



2000 Series - No Damper



2001 Series - With Damper



The information provided within is for informational purposes only. We have made every effort to ensure the accuracy of the provided information and assume no responsibility for any loss or damage due to errors or omissions or to the use or misuse of any information supplied. It is impossible to test all products under all conditions to which they might be subjected in the field. It is therefore the buyer and/or end users' responsibility to test all products under the conditions that duplicate the service conditions prior to installation. All improvements, all specifications are subject to change without prior notice. It is the buyer and/or end users' responsibility to review our complete Terms and Conditions of Sale located on our web sites at: [www.novaflex.com](http://www.novaflex.com) | [www.z-flex.com](http://www.z-flex.com) | [www.flexmaster.com](http://www.flexmaster.com).

11.2020